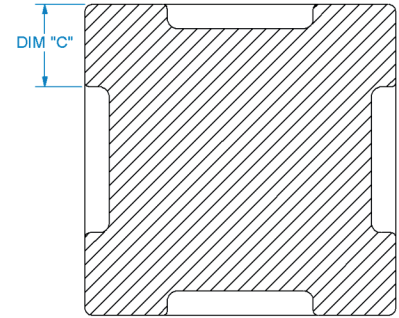
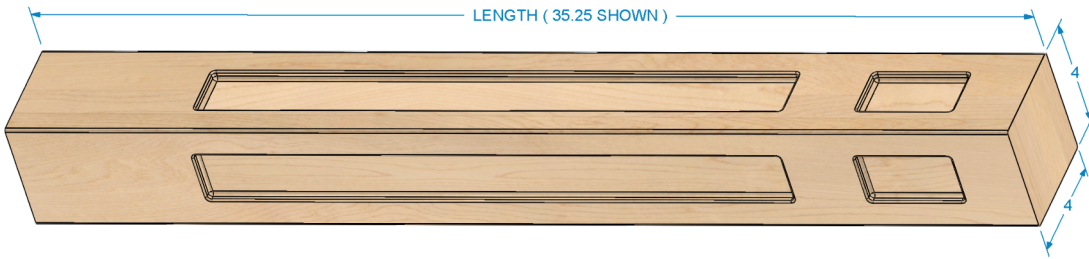
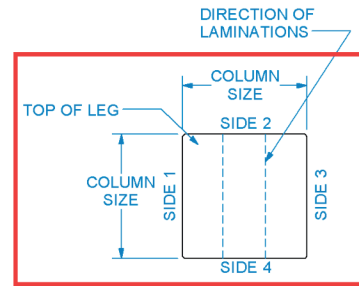
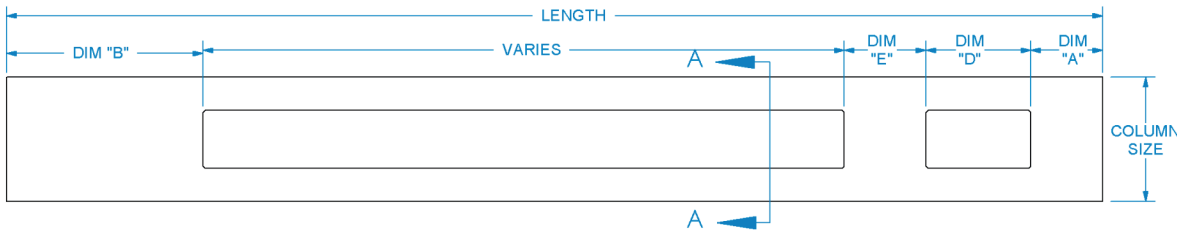
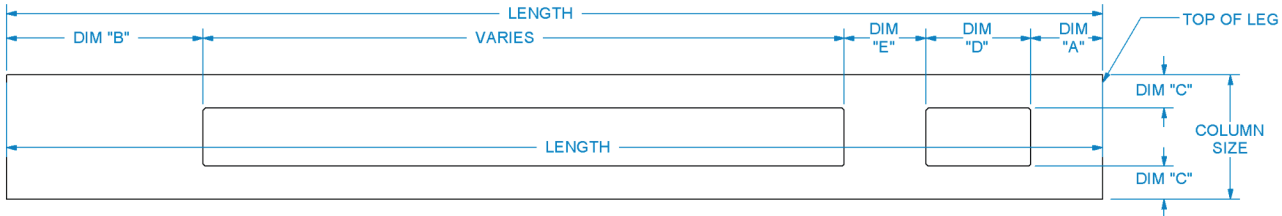


SOLD TO:	SHIP TO:
Company Name: _____	Company: _____
Contact: _____	Address: _____
Phone: _____	City, State, Zip: _____
Email: _____	Ship Blind: YES <input type="checkbox"/> NO <input type="checkbox"/>
PO#: _____	



SECTION A-A  
SCALE 1 : 2



**Step #1**

Item SKU: \_\_\_\_\_  
Quantity: \_\_\_\_\_

**Step #2: Column Size**

3"  4"  5"  6"  Other: \_\_\_\_\_

**Step #3: Column Length**

29"  35.25"  42.25"  Other: \_\_\_\_\_

**Step #4: Detail on Sides**

Use the diagram above (outlined in red) to choose which corners you would like the detail on.

Side 1  Side 3  
 Side 2  Side 4

**Step #5: Dim "A"**

2"  
 3"  
 4"  
 5"  
 Other: \_\_\_\_\_

**Step #6: Dim "B"**

3"  
 4"  
 5"  
 6"  
 Other: \_\_\_\_\_

**Step #7: Dim "C"**

Width of chamfer  
 .25"  
 .375"  
 .5"  
 Other: \_\_\_\_\_

**Step #8: Dim "D"**

3"  
 4"  
 5"  
 6"  
 Other: \_\_\_\_\_

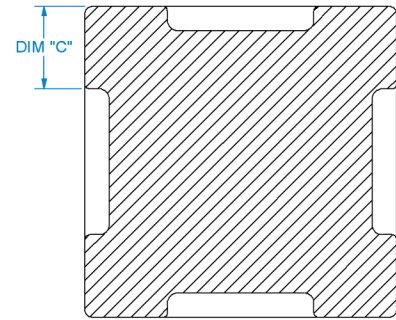
**Step #8: Dim "E"**

3"  
 4"  
 5"  
 6"  
 Other: \_\_\_\_\_

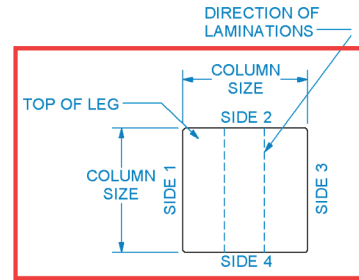
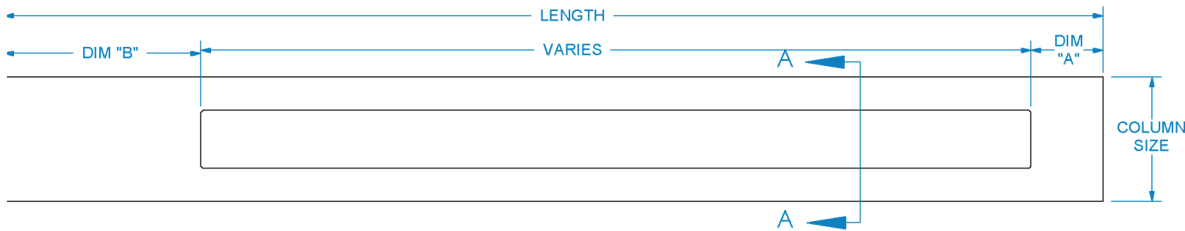
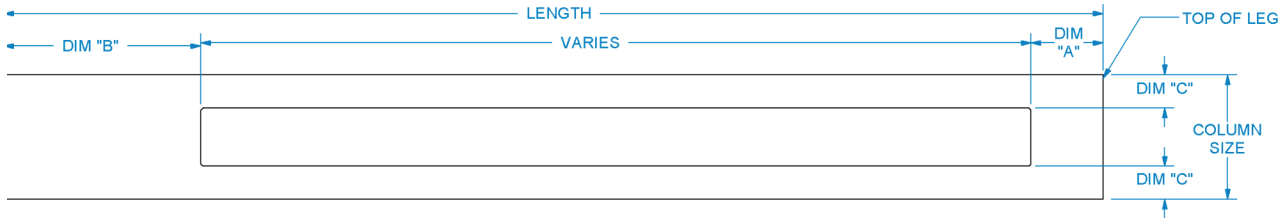
**Step #10: Species**

Red Oak  Hickory  
 Alder  White Oak  
 Cherry  Walnut  
 Hard Maple  Other: \_\_\_\_\_

SOLD TO:	SHIP TO:
Company Name: _____	Company: _____
Contact: _____	Address: _____
Phone: _____	City, State, Zip: _____
Email: _____	Ship Blind: YES <input type="checkbox"/> NO <input type="checkbox"/>
PO#: _____	



SECTION A-A  
SCALE 1 : 2



**Step #1**

Item SKU: \_\_\_\_\_  
Quantity: \_\_\_\_\_

**Step #2: Column Size**

3"  4"  5"  6"  Other: \_\_\_\_\_

**Step #3: Column Length**

29"  35.25"  42.25"  Other: \_\_\_\_\_

**Step #4: Detail on Sides**

Use the diagram above (outlined in red) to choose which corners you would like the detail on.

Side 1  Side 3  
 Side 2  Side 4

**Step #5: Dim "A"**

2"  
 3"  
 4"  
 5"  
 Other: \_\_\_\_\_

**Step #6: Dim "B"**

3"  
 4"  
 5"  
 6"  
 Other: \_\_\_\_\_

**Step #7: Dim "C"**

Width of chamfer  
 .25"  
 .375"  
 .5"  
 Other: \_\_\_\_\_

**Step #10: Species**

Red Oak  Hickory  
 Alder  White Oak  
 Cherry  Walnut  
 Hard Maple  Other: \_\_\_\_\_