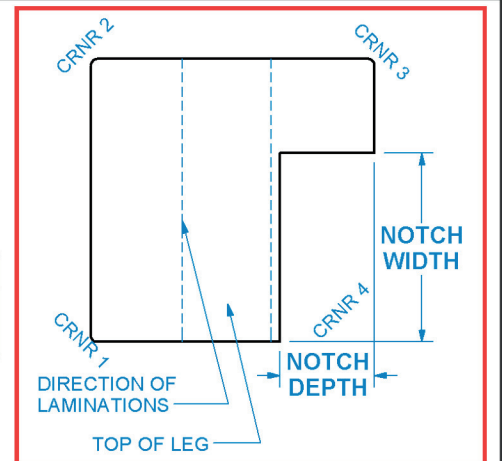
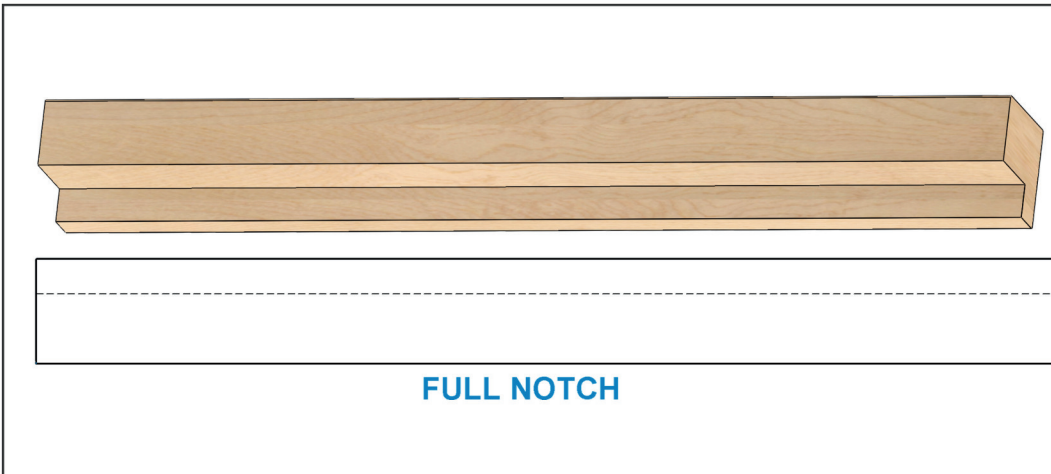
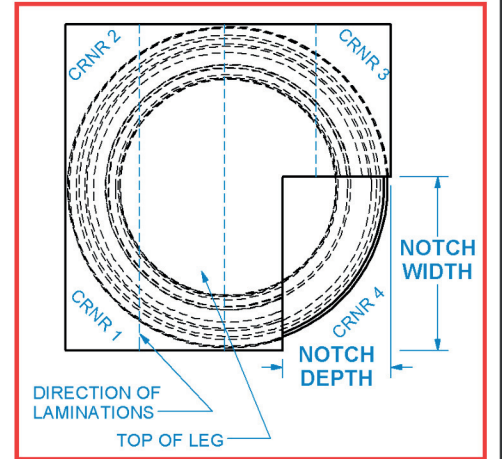
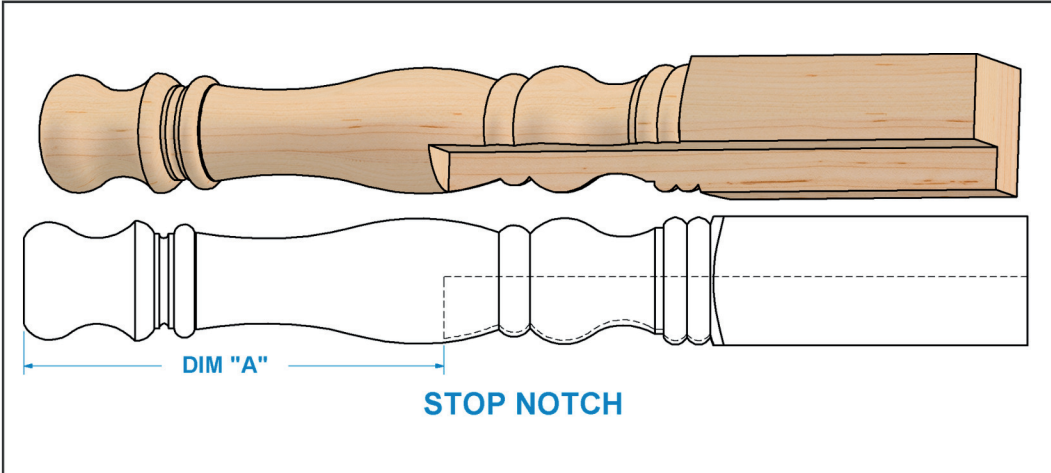


SOLD TO:	SHIP TO:
Company Name: _____	Company: _____
Contact: _____	Address: _____
Phone: _____	City, State, Zip: _____
Email: _____	Ship Blind: YES <input type="checkbox"/> NO <input type="checkbox"/>
PO#: _____	



Step #1
Item SKU: _____
Quantity: _____

Step #2: Sides to Notch
 Left Right Both

Step #3: Species

<input type="checkbox"/>  Red Oak	<input type="checkbox"/>  Hickory
<input type="checkbox"/>  Alder	<input type="checkbox"/>  White Oak
<input type="checkbox"/>  Cherry	<input type="checkbox"/>  Walnut
<input type="checkbox"/>  Hard Maple	<input type="checkbox"/> Other: _____

Step #4: Dim "A"
 0" = (FULL NOTCH)
 Other: _____

Step #5: Notch Depth
 0.5"
 1"
 1.5"
 2"
 Other: _____

Step #6: Notch Width
 0.5"
 1"
 1.5"
 2"
 Other: _____

Step #7: Detail on Corners
 Use the diagram above (outlined in red) to choose which corners you would like the detail on.
 Corner 1
 Corner 2
 Corner 3
 Corner 4