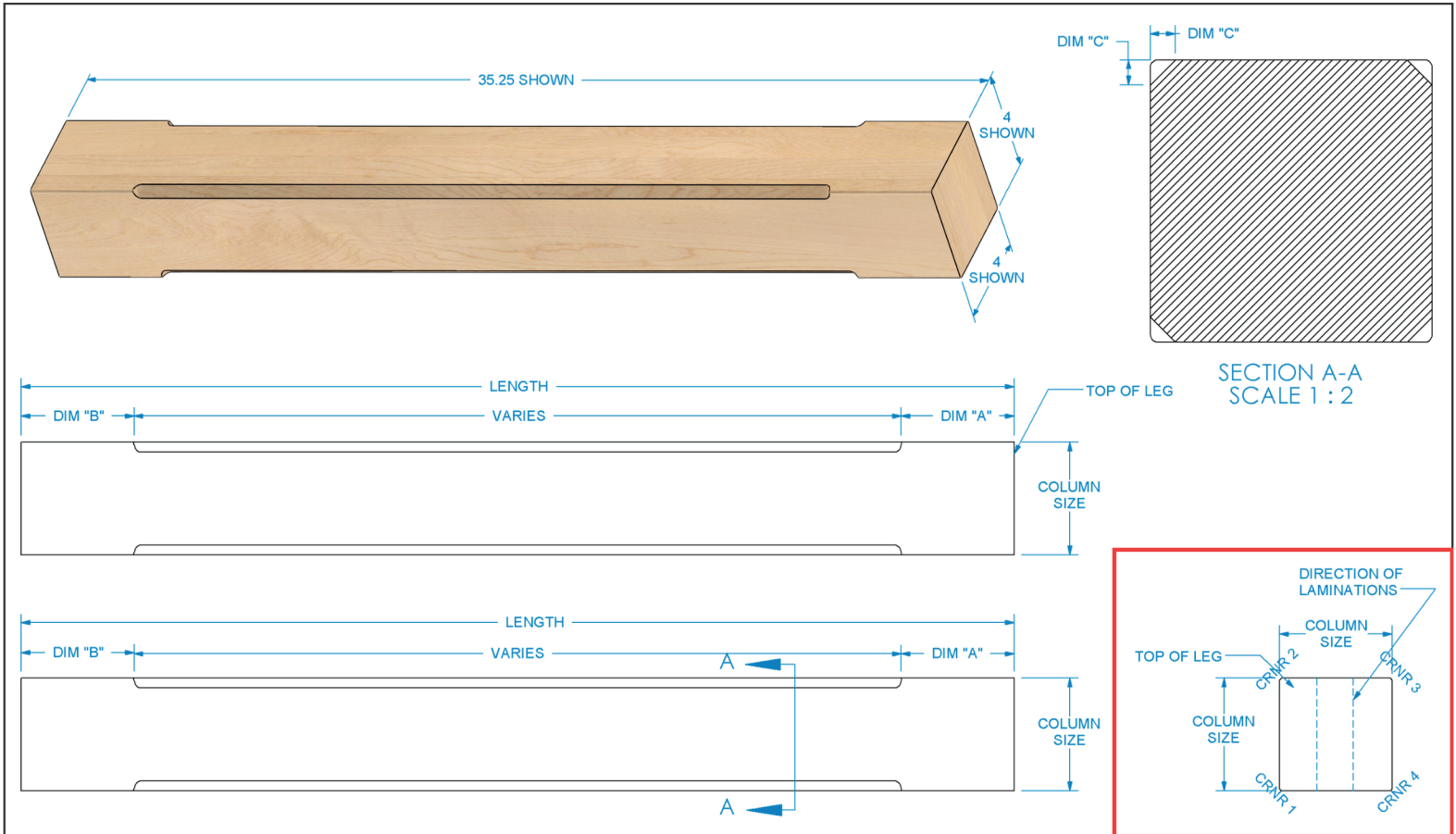


Customize our stock 3", 4", 5" or 6" square columns. Setup and cut charges apply. ALL custom cut products are NOT returnable.

SOLD TO:	SHIP TO:
Company Name: _____	Company: _____
Contact: _____	Address: _____
Phone: _____	City, State, Zip: _____
Email: _____	Ship Blind: YES <input type="checkbox"/> NO <input type="checkbox"/>
PO#: _____	



<p>Step #1 Item SKU: _____ Quantity: _____</p>	<p>Step #5: Notch Depth</p> <p><input type="checkbox"/> 0.5" <input type="checkbox"/> 1" <input type="checkbox"/> 1.5" <input type="checkbox"/> 2" <input type="checkbox"/> Other: _____</p>	<p>Step #7: Dim "A"</p> <p><input type="checkbox"/> 2" <input type="checkbox"/> 3" <input type="checkbox"/> 4" <input type="checkbox"/> 5" <input type="checkbox"/> Other: _____</p>	<p>Step #9: Dim "C" Width of chamfer</p> <p><input type="checkbox"/> .25" <input type="checkbox"/> .375" <input type="checkbox"/> .5" <input type="checkbox"/> Other: _____</p>
<p>Step #2: Column Size</p> <p><input type="checkbox"/> 3" <input type="checkbox"/> 4" <input type="checkbox"/> 5" <input type="checkbox"/> 6" <input type="checkbox"/> Other: _____</p>	<p>Step #6: Notch Width</p> <p><input type="checkbox"/> 0.5" <input type="checkbox"/> 1" <input type="checkbox"/> 1.5" <input type="checkbox"/> 2" <input type="checkbox"/> Other: _____</p>	<p>Step #8: Dim "B"</p> <p><input type="checkbox"/> 3" <input type="checkbox"/> 4" <input type="checkbox"/> 5" <input type="checkbox"/> 6" <input type="checkbox"/> Other: _____</p>	<p>Step #10: Species</p> <p><input type="checkbox"/> Red Oak <input type="checkbox"/> Hickory <input type="checkbox"/> Alder <input type="checkbox"/> White Oak <input type="checkbox"/> Cherry <input type="checkbox"/> Walnut <input type="checkbox"/> Hard Maple <input type="checkbox"/> Other: _____</p>
<p>Step #3: Column Length</p> <p><input type="checkbox"/> 29" <input type="checkbox"/> 35.25" <input type="checkbox"/> 42.25" <input type="checkbox"/> Other: _____</p>	<p>Step #4: Detail on Corners Use the diagram above (outlined in red) to choose which corners you would like the detail on.</p> <p><input type="checkbox"/> Corner 1 <input type="checkbox"/> Corner 3 <input type="checkbox"/> Corner 2 <input type="checkbox"/> Corner 4</p>		